



**Front panel  
of ST-01 speed gate section  
for barcode reader installation**

**FP-01Q**

INSTALLATION MANUAL



CE



**Front panel**  
***FP-01Q***  
of *ST-01* speed gate section  
for barcode reader installation

**Installation Manual**



# 1 APPLICATION

**FP-01Q front panel of ST-01 speed gate** is designed for barcode reader installation. There is also an opportunity to install ACS controller board inside.



## **Attention!**

Product is supplied as a part of **ST-01** but to be ordered separately.

Barcode reader and ACS controller are not included in a delivery set and have to be purchased separately by the customer<sup>1</sup>.

Product is a constructional part of **ST-01** speed gate and is not supposed to be used separately.

Climatic operation conditions of the products are indicated in **ST-01** operation manual. Installers should also consider operation conditions of built-in optional equipment.

The storage is allowed indoors at ambient temperature from -40°C to +50°C and at relative air humidity up to 80% at +15°C. In the storage room should also be no acid fumes and gases, causing the corrosion.

Product in the original package should be transported in closed type cargo transport units (in railroad cars, containers, closed cars, under decks, by plane, etc.). During transportation and storage, crates can be stacked no more than 6 layers high.

Overall dimensions of the panel (L×W ×H), ..... 135×110×987 mm

Overall dimensions of the transportation crate..... 105×26×26 cm

Net weight ..... not more than 7 kg

Gross weight ..... not more than 18 kg

# 2 DELIVERY SET

**FP-01Q front panel** ..... 1

Self-adhesive PCB pillars FSS-5 ..... 4

Installation manual ..... 1

Transportation crate ..... 1

<sup>1</sup> To organize access control with opportunity of barcode reader connection via *RS-232* or *USB* manufacturer offers **C01** controller (<https://www.perco.com/products/c-01-controller-for-online-systems.php>).

### 3 INSTALLATION ORDER



#### **Attention!**

**ST-01** speed gate installation order – see in **ST-01 Assembly and operation manual**. It must be considered that overall length of a speed gate section with an installed **FP-01Q** panel increases for 55 mm (see Fig.1).

**FP-01Q** front panel is to be installed on **ST-01** speed gate instead of a standard front panel of the section (see Fig. 1 and **ST-01 Assembly and operation manual**, section 8.9.2). Glass top cover has to be disassembled from the turnstile section before panel installation (disassembly) (see **ST-01 Assembly and operation manual**, section 8.9.6).

Layout of **FP-01Q** front panel is shown on Fig. 2. Hereinafter item numbers are indicated according to Fig. 2.

1. Install a barcode reader (6). To do so unscrew two M3 bolts (9) and remove a mounting plate (7), afterwards fix the scanner on the plate and install it back on its place. During scanner installation the distance from the panel to the window (1) should be considered, it has to provide a stable reading of the barcode (see technical specifications of a scanner which is going to be built in).



#### **Attention!**

Barcode reader is not included in a delivery set. Maximum dimensions of a built-in scanner should be not more than 140×75×32 mm (L×W ×H).

2. If needed install an ACS controller. Controller should be installed on a bracket (4). To install a frameless controller delivery set includes self-adhesive board latches. Removable bracket should be installed with two M3 bolts (5).



#### **Attention!**

ACS controller is not included in a delivery set. Maximum dimensions of a built-in ACS controller should be not more than 300×125×70 mm (L×W ×H).

3. Connect scanner, ACS controller and front indication module and install **FP-01Q** front panel back on **ST-01** speed gate.

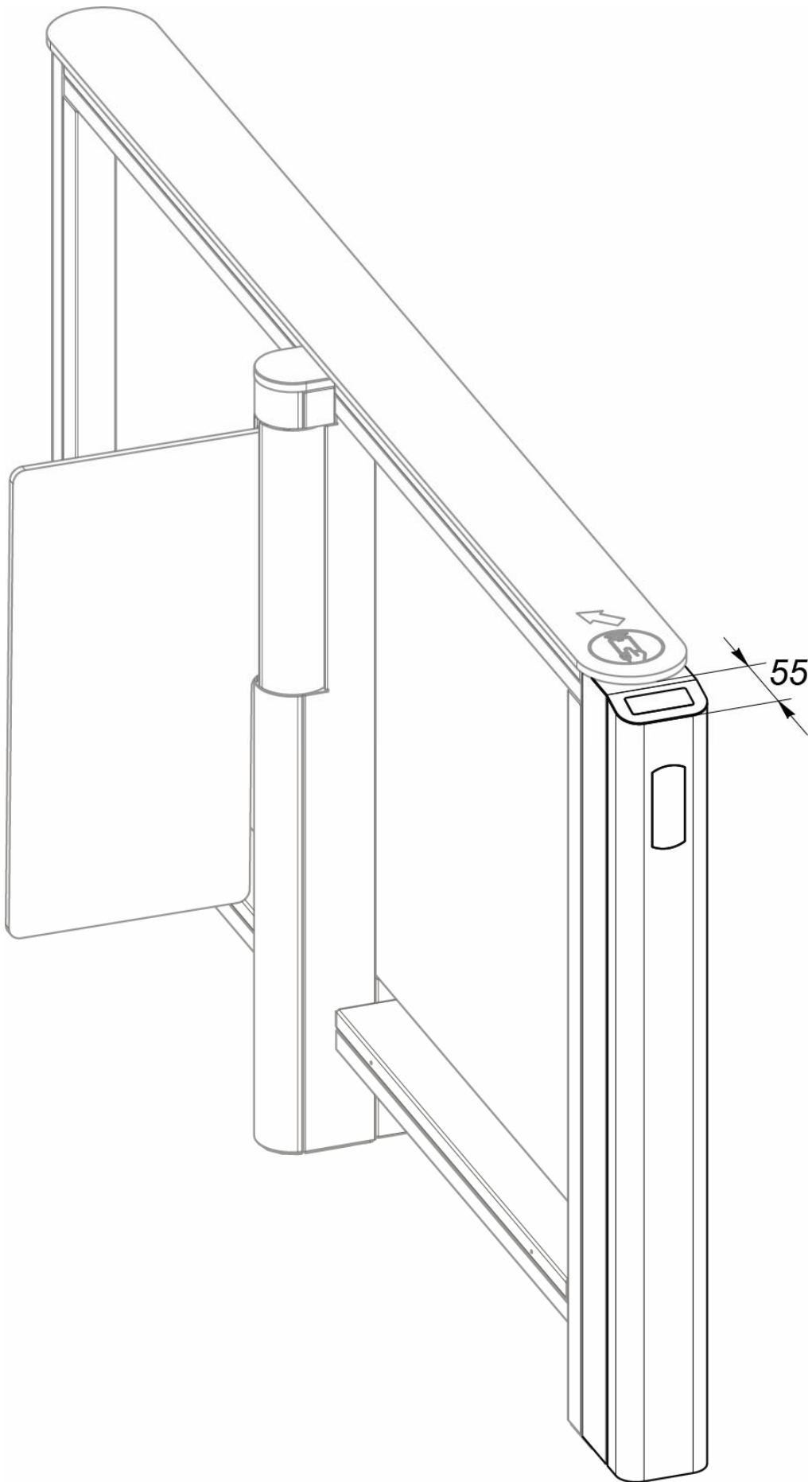
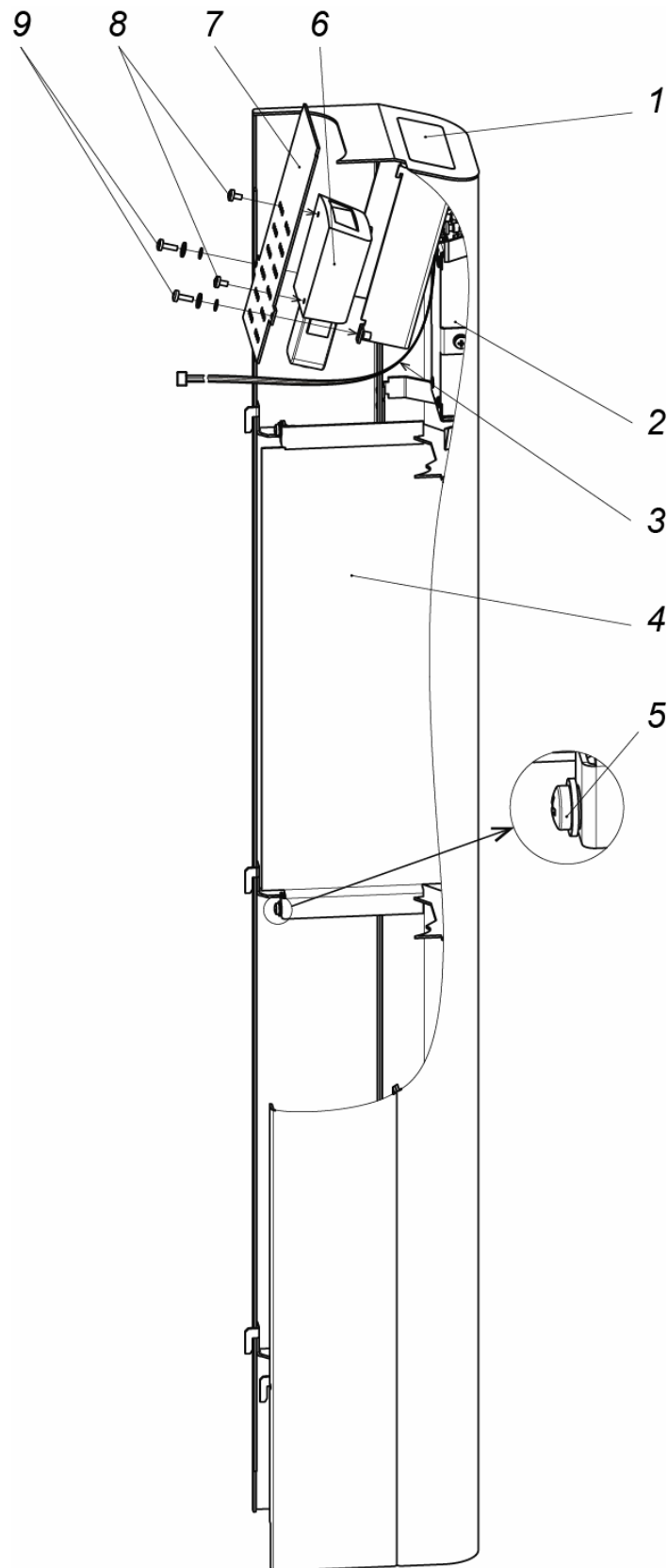


Figure 1. *ST-01* section with installed *FP-01Q* front panel



**Figure 2. FP-01Q front panel**

- 1 – window for barcode reading; 2 – front indication module;
- 3 – front indication module cable; 4 – bracket to fix an ACS controller;
- 5 – screw to fix the controller; 6 – barcode scanner<sup>1</sup>; 7 – plate to fix a barcode scanner;
- 8 – screws to fix the scanner<sup>1</sup>; 9 – screws to fix the plate

<sup>1</sup> Not included in delivery set





# **PERCo**

Polytechnicheskaya str., 4, block 2  
194021, Saint Petersburg  
Russia

Tel: +7 812 247 04 64

**E-mail: [export@perco.com](mailto:export@perco.com)  
[support@perco.com](mailto:support@perco.com)**

**[www.perco.com](http://www.perco.com)**



[www.perco.com](http://www.perco.com)