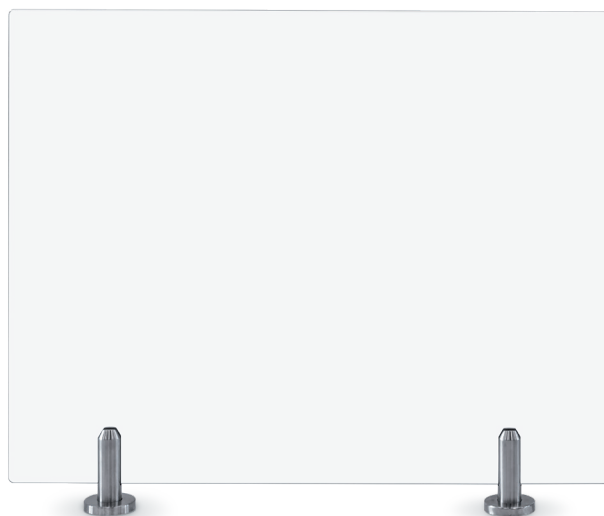


BH06 Waist-high railing systems



Application

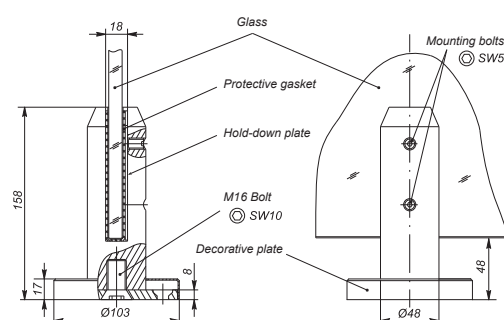
BH06 waist-high railing section is designed to arrange passage zones and decorate the entrance interiors of administrative buildings, industrial enterprises, retail outlets, banks, airports, railway stations.

Railing system is a modular structure formed of sections. Each section consists of two or three BH06 2-00 stainless steel mini-posts with a 10 mm sheet of tempered glass. Railing section of any configuration can be arranged by using different types of railings and its elements.

Mini-post is a tubular post that is fixed on the flange and features a groove for the glass sheet. The flange is fixed with 4 anchors on the mounting surface and is covered with a decorative plate. The glass is fixed in the post groove by means of hold-down plate with a rubber gasket and two fixing bolts.



BH06 2-00 mini-post



Railing sections are available in two standard sizes: 1000 mm-wide or 1500 mm-wide, 1000 mm-high.

It is possible to order a section of different size not exceeding 1500 mm.

BH06 Waist-high railing systems

Design

10 mm tempered sheet glass.

Operating conditions

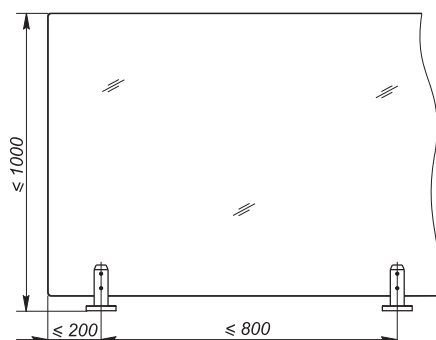
Railings, with regard to resistance to environmental exposure, comply with GOST 15150-69 category NF3.1 (operation in premises without climate control). Operation is allowed at ambient temperature from +10°C to +50°C and relative air humidity up to 75% at + 15°C.

Delivery set

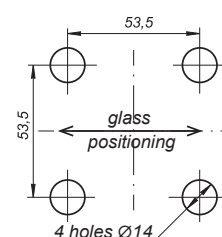
Railing sections (tempered sheet glass) - specified by the customer	as per order
BH06 2-00 mini-post	2 or 3 per one section
Operation Manual	1
Optional equipment (upon request)	
M10 anchor bolt (DIN 7984, stainless, internal hexagon) with SORMAT PFG IH 10 anchor for mounting vertical posts to the floor	4

Mounting

Foundation requirements: concrete (grade 400 or higher), stone or similar foundations of at least 150 mm thick. For the installation on a less steady foundation it is recommended to apply reinforcing elements (300×300×300 mm).



Installation recommendations



Hole marking for mini-post