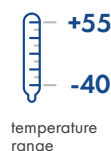
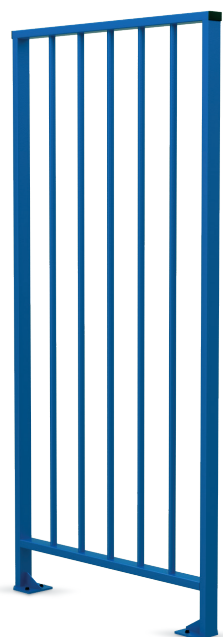


# MB-16 Full height railings



## Application

MB-16 full height railing is designed to segment entrance points into functional areas ensuring security by full height coverage of the passage zone.

It can be used as a standalone blocking device and as a part of RTD-16 turnstile and WHD-16 security gate, with that, the railing is produced in the same design as above mentioned equipment so that they can form a unique construction. Sections coupling is performed at 180°, 90° angles. There are fixing elements for attaching to a wall (for more information about attaching plates and brackets required for connecting the elements of the turnstile, railing sections, canopy, swing gate see page 240).

Two versions of railings are available:

- MB-16R main railing section
- MB-16D additional railing section (the section is not fixed to the ground and is used

## Operating conditions

The railing, with regard to resistance to environmental exposure, complies with GOST 15150-69 category N2 (operation outdoors). The operation of the railing is allowed at ambient temperature from -40°C to +55°C and relative air humidity up to 98% at + 25°C.

## Design

Railing sections are made of galvanized powder-coated steel. Colour – blue.

## Delivery set

Main railing section (MB-16R main section / MB-16D optional section)	1
Operation Manual	1
<b>Optional equipment (upon request)</b>	
M10 anchor bolt with SORMAT PFG IR 10-16 anchor	4
Attaching plates and brackets required for connecting the elements of the turnstile, railing sections, canopy, swing gate	

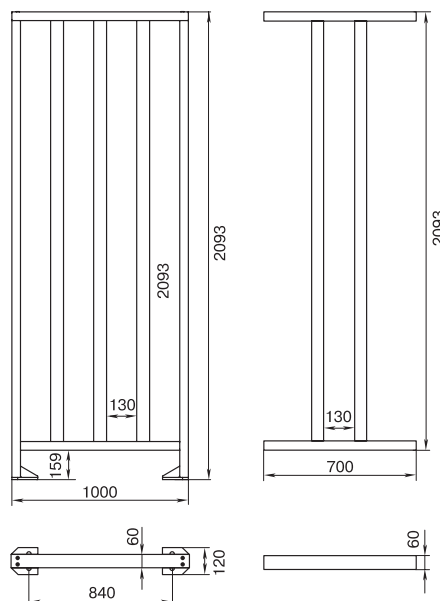
# MB-16 Full height railings

## Technical specifications

Overall dimensions (LxWxH)	MB-16R main section	1000x120x2093 mm
	MB-16D additional section	700*x60x2093 mm
Net weight	MB-16R main section	max. 31 kg
	MB-16D additional section	max. 9 kg
<b>Package dimensions (LxWxH)</b>		
Main section box		222x111x21 cm
Additional section box		208x77x14 cm

\* Can be reduced to 260 mm when installing.

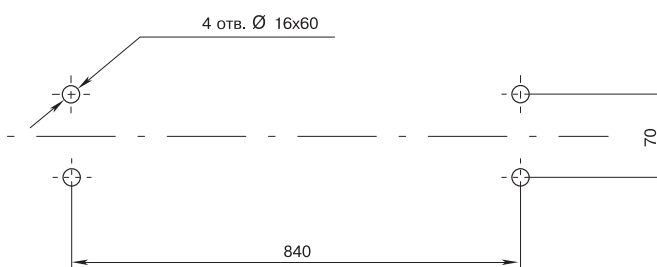
## Overall dimensions



### Railing sections overall dimensions

## Mounting

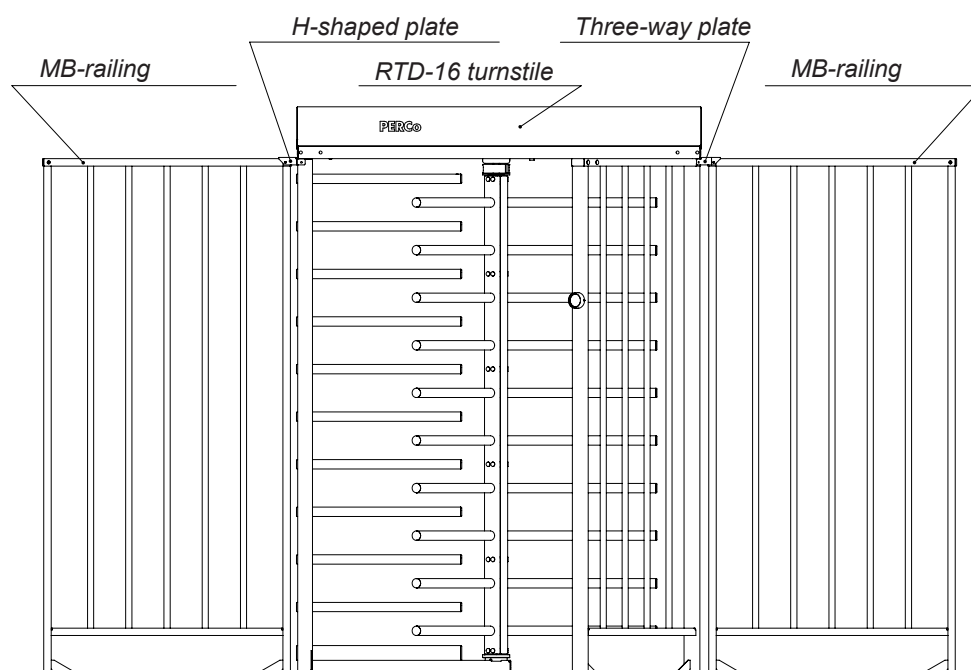
Foundation requirements: plain concrete (grade 400 or higher), stone or similar foundations of at least 150 mm thick. For the installation of railing on a less steady foundation it is recommended to apply reinforcing elements (300x300x300 mm).



### Hole marking for mounting railing sections

# MB-16 Full height railings

## Passage zone modeling

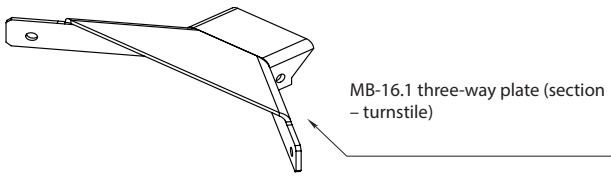


## Attaching plates and brackets application

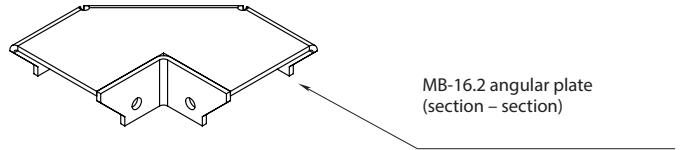
Attaching plates and brackets are required for connecting the elements of the RTD-16 turnstile, RTC-16 canopy, MB-16 railing sections, WHD-16 security gate

Nº	Item	Description	Mounting layout
1	MB-16.1	Three-way plate for coupling RTD-16 turnstile with WHD-16 or MB-16 railing section (with fastener)	Fig. 1
2	MB-16.2	Angular plate for coupling MB-16 railing sections at 90° (with fastener)	Fig. 2
3	MB-16.3	Upper straight plate for coupling MB-16 railing sections / WHD-16 security gate (with fastener)	Fig. 3
4	MB-16.4	Upper plate for coupling additional MB-16D railing sections with MB-16 section / WHD-16 security gate (with fastener)	Fig. 4
5	MB-16.5	H-shaped plate for coupling MB-16R additional railing sections with RTD-16 turnstile	Fig. 5
6	MB-16.6	T-shaped plate for attaching MB-16 railing section / WHD-16 security gate to a wall (with fastener)	Fig. 6
7	MB-16.7	T-shaped plate for attaching MB-16D additional railing section to a wall	Fig. 7
8	MB-16.8	Upper straight plate for coupling MB-16R railing section with MB-16D additional railing section	Fig. 8
9	MB-16.9	Supporting pole for MB-16R section posts	Fig. 9, 10
10	MB-16.10	Barrier plate for MB-16 railing sections and WHD-16 security gate to prevent climbing over	Fig. 11, 12

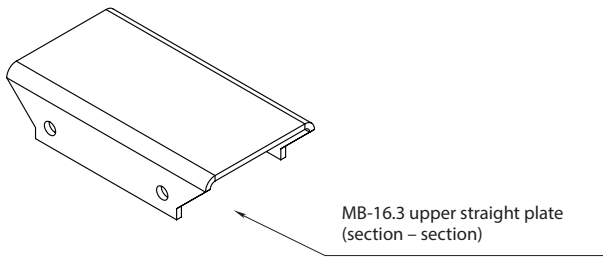
# MB-16 Full height railings



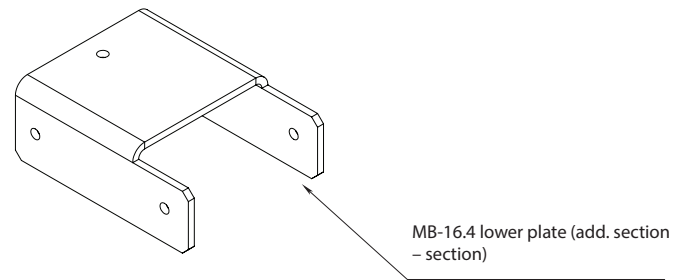
Picture 1



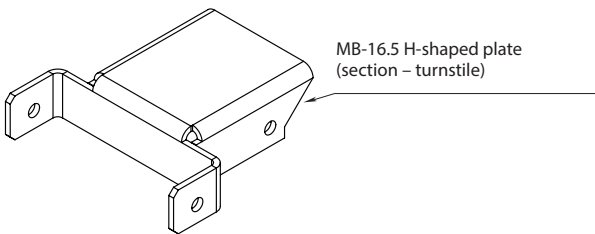
Picture 2



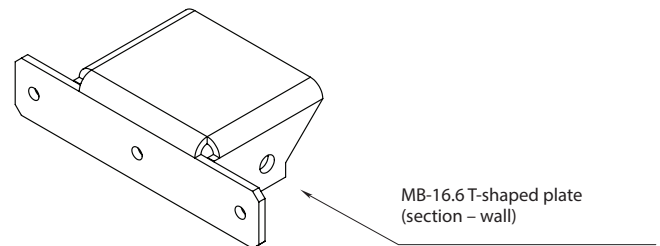
Picture 3



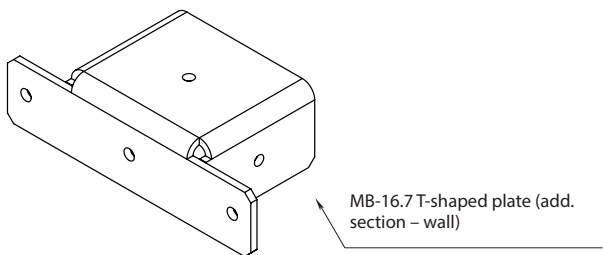
Picture 4



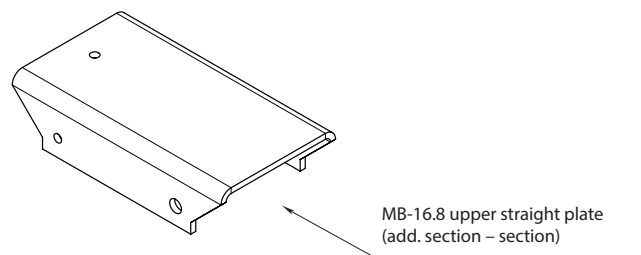
Picture 5



Picture 6

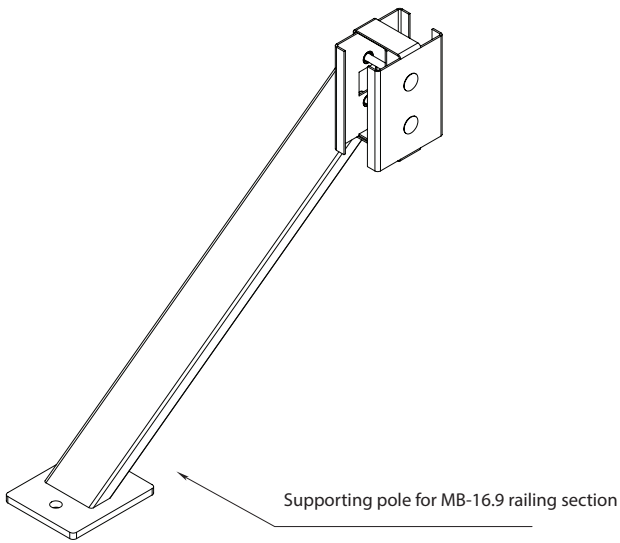


Picture 7

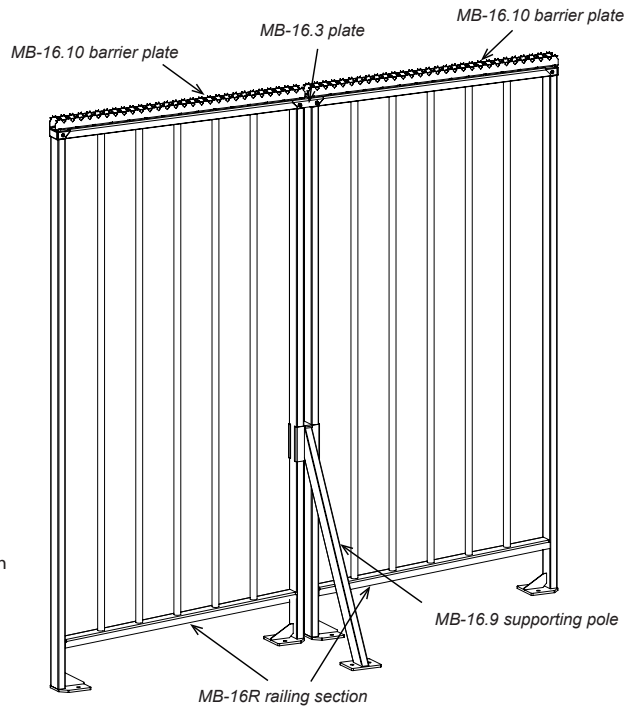


Picture 8

# MB-16 Full height railings

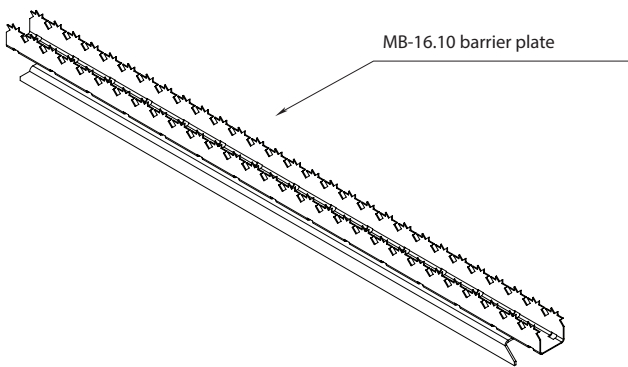


Picture 9

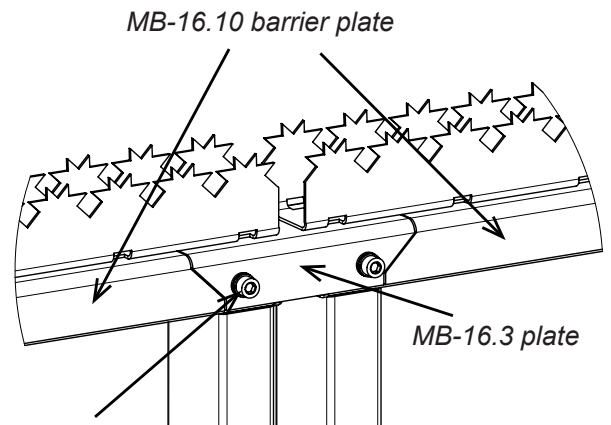


Picture 10

MB-16.9 supporting pole and MB-16.10 barrier plates mounting layout



Picture 11



Picture 12

MB-16.10 barrier plate mounting layout