

TTD-03.2 Box tripod turnstile



+50
+1
temperature range

12V
operating voltage

2
passage direction

30
persons/min

mechanical unlocking

Application

TTD-03.2 box turnstile is a normally closed electromechanical turnstile designed for indoor operation.

The delivery set includes an RC-panel, the orientation of the RC-panel buttons relative to the passage directions is set when connecting to the turnstile. It is recommended to install one turnstile per 500 people working the same shift and based on a maximum working load of 30 persons/min. Turnstiles can be equipped with railings.



RC-panel

Operating modes

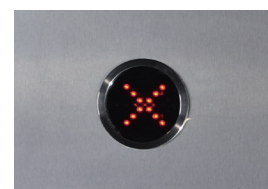
The turnstile provides passage control in two directions, turnstile operating mode may be set independently for each passage direction. Supported operating modes:

- passage denial in both directions
- single passage in one direction and passage denial in the other direction
- single passage in both directions
- free passage in one direction and passage denial in the other direction
- free passage in one direction and single passage in the other direction
- free passage in both directions

When the power is turned off, both passage directions remain as before the power loss.

Main features

- installing several turnstiles in a row allows arranging passage zone without additional railings.
- operation of the turnstile from RC-panel, WRC, ACS
- built into the turnstile housing electronic board
- built into the turnstile top cover passage grant / denial indication
- safe voltage – max. 14 V
- and low power consumption – max. 8.5 W
- automatic reset of the barrier arms to the home position after each passage
- damping device provides smooth silent operation
- barrier arm rotation optical sensors record correctly the fact of passage



LED indication

TTD-03.2 Box tripod turnstile

- integrated mechanical release lock
- possibility to connect an intrusion detector and a siren to the turnstile
- two control modes – pulse and potential
- outputs galvanic isolation
- Fire Alarm control input that allows connecting the emergency unlocking device
- relay outputs for connecting additional external indicators of the passage grant / denial

Design

Housing – stainless steel or powder coated steel. Possible housing finishes:

| Item | Finish |
|-----------|--|
| TTD-03.2S | Polished stainless steel |
| TTD-03.2G | Steel, sandpaper powder coating with pearl mica effect; dark grey colour |



Polished stainless steel



Steel, sandpaper powder coating with pearl mica effect; dark grey colour

Powder coating to RAL colours is available on order. Turnstile top cover – polished stainless steel.

Turnstile can be equipped with two types of the barrier arms:

| Item | Description |
|-------|------------------------------------|
| AS-01 | Standard barrier arms |
| AA-01 | Mechanical anti-panic barrier arms |



Mechanical anti-panic barrier arms

Specify top cover and barrier arms models when ordering.

Operating conditions

Turnstile, with regard to resistance to environmental exposure, complies to GOST 15150-69 category NF4 (operation in premises with climate control). Operation of the turnstile is allowed at ambient temperature from +1 °C to +50 °C and relative air humidity up to 80% at + 25 °C (non-condensing).

It is a serially produced product certified for compliance with applicable Russian and European CE standards.

TTD-03.2 Box tripod turnstile

Delivery set

| | |
|--|---|
| Turnstile housing | 1 |
| Turnstile top cover | 1 |
| Barrier arm (model to be chosen when ordering) | 3 |
| RC-panel (cable length of 6.6 m) | 1 |
| Key to mechanical release lock | 2 |
| Key to the top cover lock | 2 |
| Documentation set | 1 |
| Optional equipment (upon request) | |
| WRC (consisting of a receiver and two transmitters in the form of key fobs) with a range of up to 40 m | 1 |
| Intrusion detector (installed upon request at the manufacturing site) | 1 |
| Siren (for signalling that an unauthorized passage has been attempted) | 1 |
| PFG IR 10-15 anchor (SORMAT company, Finland) | 4 |
| Turnstile power supply | 1 |

Technical specifications

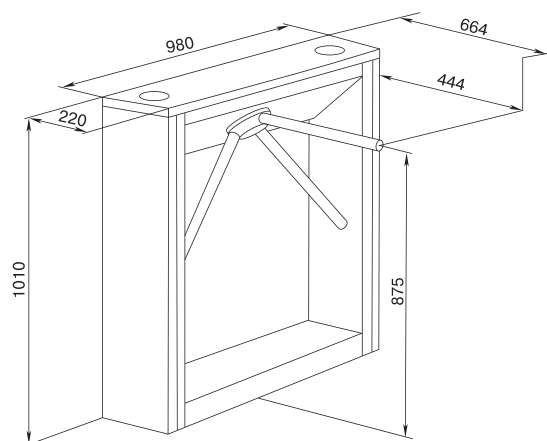
| | | |
|--|----------------------------|------------------|
| Operating voltage | 12±1.8 V DC | |
| Current consumption | max. 700 mA | |
| Power consumption | max. 8.5 W | |
| Overall dimensions with installed barrier arms (LxWxH) | 980x664x1010 mm | |
| Passageway width | 500 mm | |
| Turnstile weight | 65 kg | |
| Package dimensions (LxWxH) | 114x38x109 cm | |
| Throughput rate | in the single passage mode | 30 persons / min |
| | in the free passage mode | 60 persons / min |
| Mean time to failure | 4,000,000 passages | |

Connection

TTD-03.2 turnstile is equipped with integrated CLB electronic board. Connection procedure is stated in the "TTR-04.1 Tripod turnstile" section (see page 248)

TTD-03.2 Box tripod turnstile

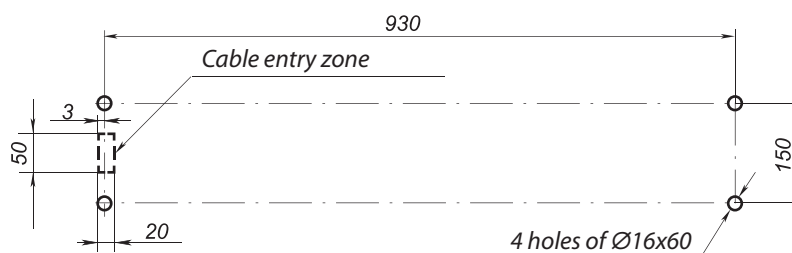
Overall dimensions



Overall dimensions

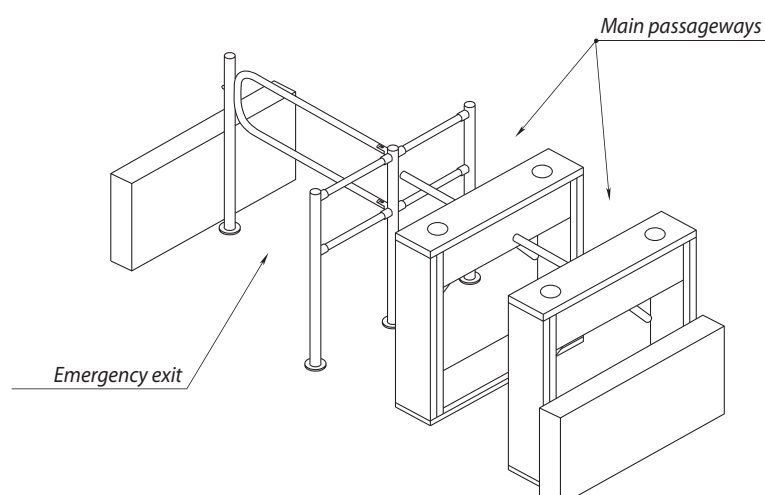
Mounting

Foundation requirements: concrete (grade 400 or higher), stone or similar foundations of at least 150 mm thick. For the installation of the turnstile on a less steady foundation it is recommended to apply reinforcing elements (400×400×400 mm).



Hole marking

Passage zone modeling



Example of an entrance zone project

Warranty

The warranty period is 5 (five) years commencing from the date of sale, unless otherwise determined in the delivery contract of the Product. In case of sale and installation of the equipment by authorized PERCo dealers and service centers, the warranty starts from the date of commissioning.

Should there be no date of sale on the warranty card, the warranty period shall commence from the date of manufacture specified in the Certificate and on the Product label.